



# ANTIK SmartCity SECURITY

- BASIC
- EXTENDED



Antik Technology  
 Carskeho 10  
 040 01 Kosice

055 30 / 12345  
 info@antiktech.com  
 www.antiktech.com



ANTIK SmartCity Security Catalogue







# ATK-B201-MIRP+

The IR Megapixel motorized varifocal camera delivers 2MP resolution with a 2.7mm ~ 13.5mm varifocal lens. The camera's elegant blend of aesthetics combined with a range of easy mounting solutions provides an excellent choice for a variety of small to mid-size applications at an affordable price.



## Functions

### Smart Codec (H.265+ & H.264+)

Smart Codec is the optimized implementation of standard video compression (H.265 & H.264) that uses a scene-adaptive encoding strategy, dynamic GOP, dynamic ROI, flexible multi-frame reference structure and intelligent noise reduction to deliver high-quality video without straining the network. Smart Codec technology reduces bit rate and storage requirements by up to 70% when compared to the standard video compression.

### Starlight Technology

For challenging low-light applications, ANTIK's Starlight Ultra-low Light Technology offers best-in-class light sensitivity, capturing color details in low light down to

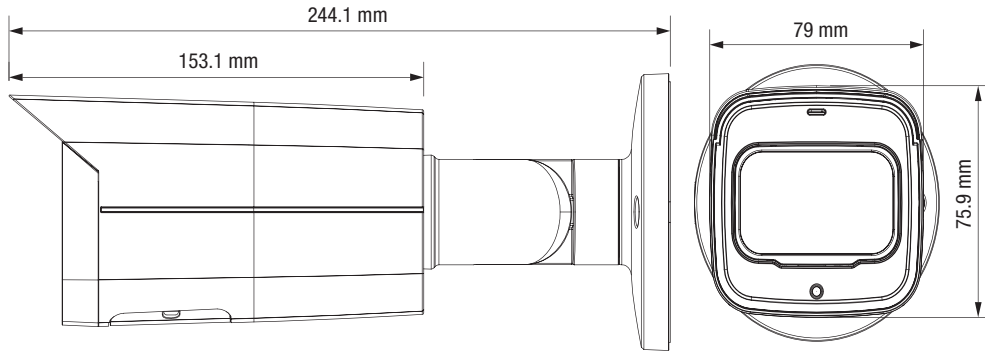
0.006lux. The camera uses a set of optical features to balance light throughout the scene, resulting in clear images in dark environments.

### Intelligent Video analysis (IVS)

ANTI-K camera is equipped with a built-in intelligent analytic algorithm based on video, which can realize intelligent functions like Tripwire and Intrusion, to quickly and accurately respond to monitoring events in specific area, It can enhance monitoring efficiency. In addition, the camera supports intelligent tamper detection, which is to generate warning message via detecting dramatic scene change and to guarantee effective video surveillance.

## 2MP WDR IR Bullet Network Camera

- 1/2.8" 2Megapixel progressive Starvis™ CMOS
- H.265 & H.264 dual-stream encoding
- 25/30fps@1080P(1920×1080)
- WDR(120dB), Day/Night(ICR), 3DNR, AWB, AGC, BLC
- Multiple network monitoring: Web viewer, CMS(DSS/PSS) & DMSS
- Micro SD card slot, up to 128GB
- 2.7~13.5mm motorized varifocal lens
- Max IR LEDs Length 60m
- IP67, PoE+



### Wide Dynamic Range (WDR)

The camera achieves vivid images, even in the most intense contrast lighting conditions, using industry-leading wide dynamic range (WDR) technology. For applications with both bright and low lighting conditions that change quickly, true WDR (120 dB) optimizes both the bright and dark areas of a scene at the same time to provide usable video.

### Smart IR Technology

With IR illumination, detailed images can be captured in low light or total darkness. The camera's Smart IR technology adjusts the intensity of camera's infrared LEDs to compensate the distance of an object. Smart IR technology prevents IR LEDs from whitening out images as they come closer to the camera. The camera's integrated infrared illumination provides high performance in extreme low-light environments up to 60m (197ft).

### Protection (IP67, wide voltage)

The camera allows for  $\pm 25\%$  input voltage tolerance, suitable for the most unstable conditions for outdoor applications. Its 2KV lightning rating provides effective protection for both the camera and its structure against lightning.

Subjected and certified to rigorous dust and immersion tests (IP67), the camera is the choice for installation in even the most unforgiving environments.

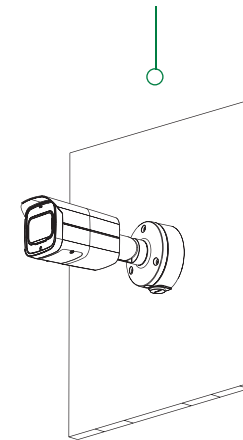
### Environmental

ANTIK cameras operate in extreme temperature environments, rated for use in temperatures from  $-30^{\circ}\text{C}$  to  $+60^{\circ}\text{C}$  ( $-22^{\circ}\text{F}$  to  $+140^{\circ}\text{F}$ ) with 95% humidity.

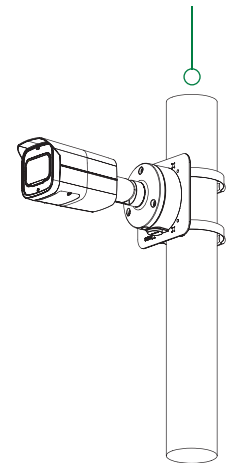
### Interoperability

The camera conforms to the ONVIF (Open Network Video Interface Forum) specifications, ensuring interoperability between network video products regardless of manufacturer.

Junction Mount



Pole Mount





# ATK-D201-MIRP

The IR Megapixel motorized varifocal camera delivers 2MP resolution with a 2.7mm – 13.5mm varifocal lens. The camera's elegant blend of aesthetics combined with a range of easy mounting solutions provides an excellent choice for a variety of small to mid-size applications at an affordable price.



## Functions

## 2MP WDR IR Dome Network Camera

### Smart Codec (H.265+ & H.264+)

Smart Codec is the optimized implementation of standard video compression (H.265 & H.264) that uses a scene-adaptive encoding strategy, dynamic GOP, dynamic ROI, flexible multi-frame reference structure and intelligent noise reduction to deliver high-quality video without straining the network. Smart Codec technology reduces bit rate and storage requirements by up to 70% when compared to the standard video compression.

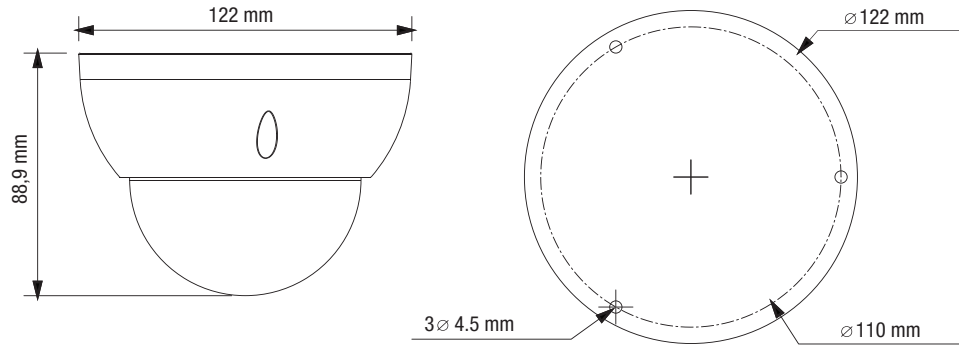
### Starlight Technology

For challenging low-light applications, ANTIK's Starlight Ultra-low Light Technology offers best-in-class light sensitivity, capturing color details in low light down to 0.006lux. The camera uses a set of optical features to balance light throughout the scene, resulting in clear images in dark environments.

### Intelligent Video analysis (IVS)

ANTI-K camera is equipped with a built-in intelligent analytic algorithm based on video, which can realize intelligent functions like Tripwire and Intrusion, to quickly and accurately respond to monitoring events in specific area. It can enhance monitoring efficiency. In addition, the camera supports intelligent tamper detection, which is to generate warning message via detecting dramatic scene change and to guarantee effective video surveillance.

- 1/2.8" 2Megapixel progressive Starvis™ CMOS
- H.265 & H.264 dual-stream encoding
- 25/30fps@1080P(1920×1080)
- WDR(120dB), Day/Night(ICR), 3DNR, AWB, AGC, BLC
- Multiple network monitoring: Web viewer, CMS(DSS/PSS) & DMSS
- Micro SD card slot, up to 128GB
- 2.7~13.5mm motorized varifocal lens
- Max IR LEDs Length 30m
- IP67, IK10, PoE



### Wide Dynamic Range (WDR)

The camera achieves vivid images, even in the most intense contrast lighting conditions, using industry-leading wide dynamic range (WDR) technology. For applications with both bright and low lighting conditions that change quickly, true WDR (120 dB) optimizes both the bright and dark areas of a scene at the same time to provide usable video.

### Smart IR Technology

With IR illumination, detailed images can be captured in low light or total darkness. The camera's Smart IR technology adjusts the intensity of camera's infrared LEDs to compensate the distance of an object. Smart IR technology prevents IR LEDs from whitening out images as they come closer to the camera. The camera's integrated infrared illumination provides high performance in extreme low-light environments up to 50m (164ft).

### Protection (IP67, IK10, wide voltage)

The camera allows for  $\pm 25\%$  input voltage tolerance, suitable for the most unstable conditions for outdoor applications. Its 2KV lightning rating provides effective protection for both the camera

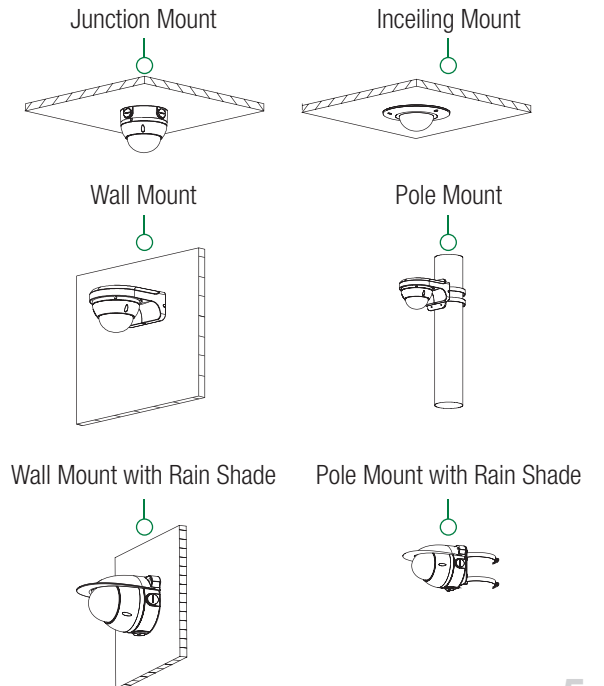
and its structure against lightning. Subjected and certified to rigorous dust and immersion tests (IP67) and impact tests (IK10), The camera complies with an IK10 impact rating making it capable of withstanding the equivalent of 5 kg (11.02 lbs) of force dropped from a height of 40 cm (15.75 in.) lightning rating provides effective protection for both the camera and its structure against lightning. Subjected and certified to rigorous dust and immersion tests (IP67) and impact tests (IK10), The camera complies with an IK10 impact rating making it capable of withstanding the equivalent of 5 kg (11.02 lbs) of force dropped from a height of 40 cm (15.75 in.)

### Environmental

ANTIK cameras operate in extreme temperature environments, rated for use in temperatures from  $-30^{\circ}\text{C}$  to  $+60^{\circ}\text{C}$  ( $-22^{\circ}\text{F}$  to  $+140^{\circ}\text{F}$ ) with 95% humidity.

### Interoperability

The camera conforms to the ONVIF (Open Network Video Interface Forum) specifications, ensuring interoperability between network video products regardless of manufacturer.





## ATK-HSD201-IRP+

Featuring powerful optical zoom and accurate pan/tilt/zoom performance, the camera provides a wide monitoring range and great detail. The camera delivers 1080P resolution at 25/30fps. The camera is equipped with smooth control, high quality image, and good protection, meeting compact size demands of video surveillance applications.



## Functions

### 2MP 25x Starlight IR HSD PTZ Network Camera

#### Starlight Technology

For challenging low-light applications, Antik's Starlight Ultra-low Light Technology offers best-in-class light sensitivity, capturing color details in low light down to 0.005 lux. The camera uses a set of optical features to balance light throughout the scene, resulting in clear images in dark environments.

#### Wide Dynamic Range

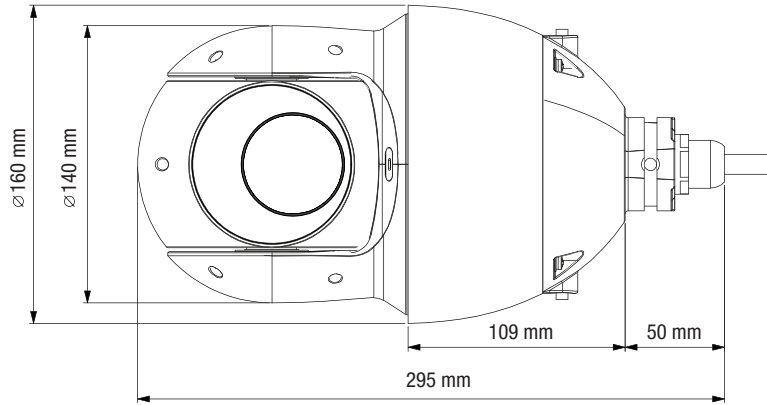
The camera achieves vivid images, even in the most intense contrast lighting conditions, using industry-leading wide dynamic range (WDR) technology. For applications with both bright and low lighting conditions that change quickly, True WDR (120 dB) optimizes both the bright and dark areas of a scene at the same time to provide usable video.

#### Smart H.265+

Smart H.265+ is the optimized implementation of the H.265 codec that uses a scene-adaptive encoding strategy, dynamic GOP, dynamic ROI, flexible multi-frame reference structure and intelligent noise reduction to deliver high-quality video without straining the network.

Smart H.265+ technology reduces bit rate and storage requirements by up to 70% when compared to standard H.265 video compression.

- 1/2.8" 2Megapixel STARVIS™ CMOS
- Powerful 25x optical zoom
- Preset Speed: Pan:240°/s, Tilt: 200°/s
- Starlight technology
- Max. 25/30fps@1080P
- IVS
- Support PoE+
- IR distance up to 100m
- IP66



### Environmental

Antik cameras operate in extreme temperature environments, rated for use in temperatures from -40 °C to +70 °C (-40 °F to +158 °F) with 95% humidity. Subjected to rigorous dust and water immersion tests and certified to the IP66 Ingress Protection rating makes it suitable for demanding outdoor applications.

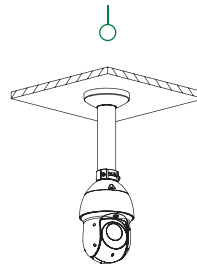
### Protection

The camera allows for 6KV lightning rating, which provides effective protection for both the camera and its structure against lightning.

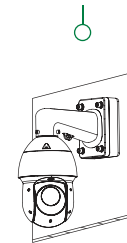
### Interoperability

The camera conforms to the ONVIF (Open Network Video Interface Forum) and PSIA (Physical Security Interoperability Alliance) specifications, ensuring interoperability between network video products regardless of manufacturer.

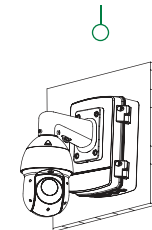
Ceiling Mount



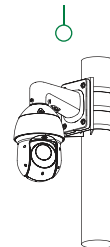
Junction Mount



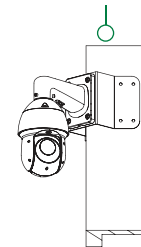
Power Box Mount



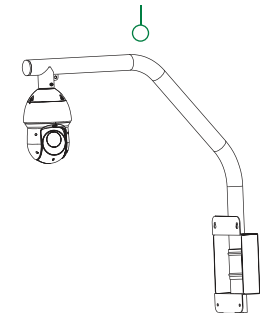
Pole Mount



Corner Mount



Parapet Mount





## ATK-X201-IRP+

The multi-sensor camera provides added flexibility for capturing wide area video surveillance. With three 2MP sensors working in tandem to create a comprehensive 180-degree overview, the camera can replace multiple single-sensor cameras providing a higher return on investment. The multi-sensor camera features contrast, backlight compensation, white balance, and resolution control to create a crystal-clear image even in the most challenging lighting conditions.



## Functions

### 3x2MP Multi-Sensor Panoramic Network IR Bullet Camera

#### True Day/Night

A day/night mechanical IR cut filter makes this camera ideal for applications with fluctuating lighting conditions, delivering color images during the day and automatically switching to monochrome as the scene darkens.

#### Starlight Technology

Featured with Antik Starlight Technology, the camera is ideal for applications with challenging light conditions. Its low light performance delivers usable video with minimal ambient light. Even in extreme low light conditions, Starlight Technology is capable of delivering color images in nearly complete darkness.

#### Wide Dynamic Range

Embedded with industry leading wide dynamic range (WDR) technology, vivid pictures are achieved even in the most intense contrast

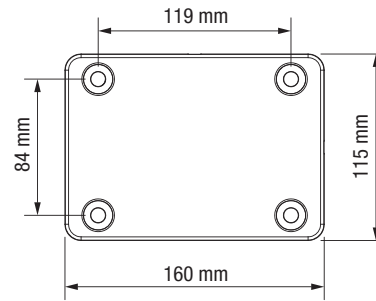
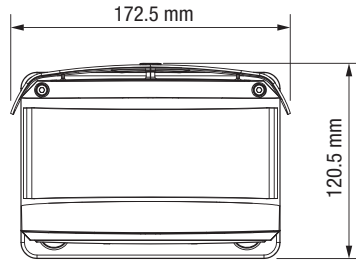
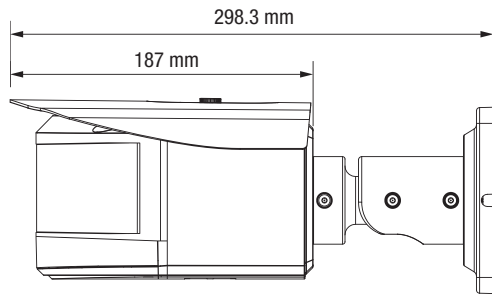
lighting conditions. For applications with both bright and low lighting conditions that change quickly, True WDR (120dB) optimizes both the bright and dark areas of a scene at the same time to provide usable video.

#### Intelligent Video System (IVS)

Antik camera is equipped with a built-in intelligent analytic algorithm based on video, which can realize intelligent functions like Tripwire, Intrusion, Abandoned, Missing and so on, to quickly and accurately respond to monitoring events in specific area. It can enhance monitoring efficiency. In addition, the camera supports intelligent tamper detection, which is to generate warning message via detecting dramatic scene change and to guarantee effective video surveillance.

- Three 1/2.8" 2Megapixel progressive scan STARVIS™ CMOS
- H.265/H.264 triple-stream encoding
- Max 25/30fps@4096x832
- Support 180-degree panoramic view
- Day/Night(ICR), 3DNR, AWB, AGC, BLC,WDR
- Smart detection
- Intelligent Function
- Max. IR LEDs length 30m
- Micro SD memory, IP67, IK10,PoE+





### Smart IR

With IR illumination, detailed images can be captured in low light or total darkness. The camera's Smart IR technology adjusts the intensity of camera's infrared LEDs to compensate the distance of an object. Smart IR technology prevents IR LEDs from whitening out images as they come closer to the camera. The camera's integrated infrared illumination provides high performance in extreme low-light environments up to 30m (98ft).

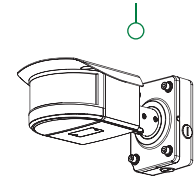
### Protection (IP67, IK10, wide voltage)

Supporting  $\pm 25\%$  input voltage tolerance, this camera suits even the most unstable conditions for outdoor applications. Its 6KV lightning rating provides effective protection for both the camera and its structure against lightning. IP67 is supported by the camera, which makes it suitable for both indoor and outdoor environments. IK10 compliance enables the camera to sustain the equivalent of 55 kg (120lbs) force.

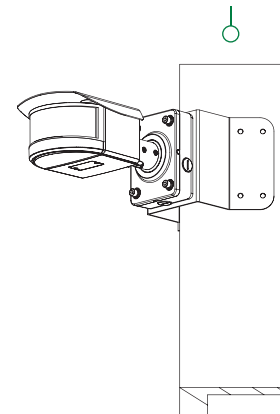
### Environmental

Standard Antik camera can function from  $-30^{\circ}\text{C}$  to  $+60^{\circ}\text{C}$  ( $-22^{\circ}\text{F}$  to  $+140^{\circ}\text{F}$ ) with 95% humidity, meanwhile some models support heater module optional which allows the camera to function from  $-40^{\circ}\text{C}$  to  $+60^{\circ}\text{C}$  ( $-40^{\circ}\text{F}$  to  $+140^{\circ}\text{F}$ ). With a temperature range of  $-40^{\circ}\text{C}$  to  $+60^{\circ}\text{C}$ , the camera is designed for extreme temperature environments.

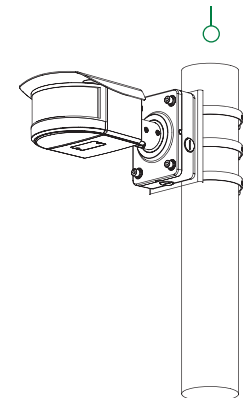
Wall Mount



Corner Mount



Pole Mount





## ATK-LPR201-IRP

Featuring a True Day/Night, 2-megapixel resolution LPR camera in parking and access control environment, video detect and recognize the plate in low speed less than 40KMH with embedded LPR algorithm. White list inside the camera control barrier

### Technical specification

### 2 Megapixel Full HD WDR Access ANPR Camera

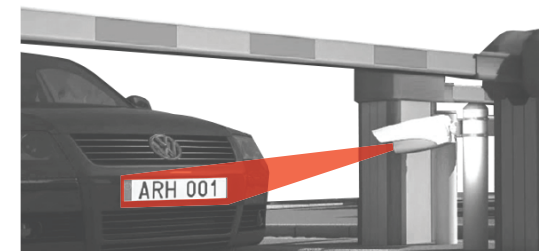
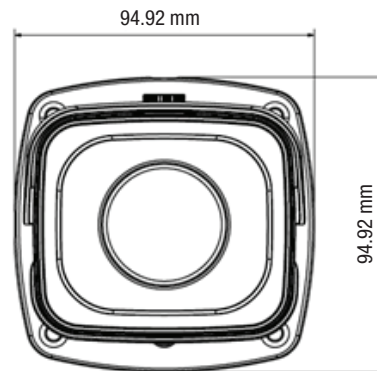
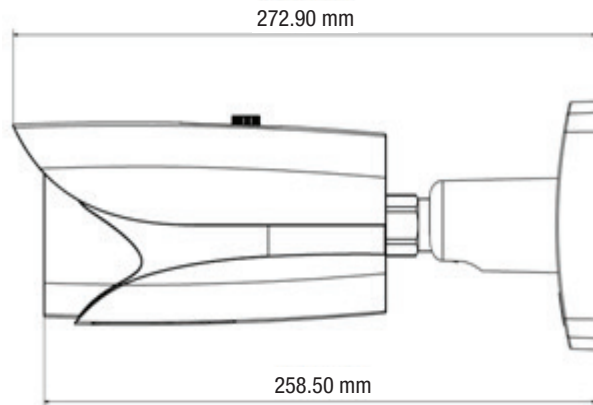
#### Camera

<b>Image Sensor</b>	1/2.8 inch 2 Megara CMOS
<b>Max. Resolution</b>	2MP, 1920(H) x 1080(V)
<b>Scanning System</b>	Progressive
<b>Minimum Illumination</b>	0.005Lux/F1.6 (Color),0Lux/F1.53(IR on)
<b>Electronic Shutter Speed</b>	1/50~1/10000
<b>IR Distance</b>	3~8m
<b>IR LEDs</b>	4

#### Lens

<b>Lens Type</b>	Motorized/ Auto Iris(DC)
<b>Mount Type</b>	Board-in Type
<b>Focal Length</b>	2.7mm~12mm
<b>Max Aperture</b>	F1.6
<b>Angle of View</b>	H: 101°~ 36° V:53° ~20°
<b>Focus control</b>	Auto
<b>Focus Width Range</b>	1 lane
<b>Focus Distance Range</b>	3-8m

- Embedded with LPR algorithm inside the camera
- Support plate cutout, overview picture snapshot and video recording
- Embedded with White list database,control the barrier
- Powerful 2.7-12mm motorized lens and IR light, ideal for monitor ANPR distance as 3~8m
- Wide working temperature, IP67,IK10 and superior performance for outdoor applications
- True WDR technology



## Intelligence

<b>License Plate Recognition (LPR)</b>	Embedded
<b>Detection model</b>	Loop or video detection
<b>Snapshot</b>	Overview and cutout of plate for picture
<b>OSD overlay</b>	Time, place, plate number, lane No.
<b>White list</b>	10000 recording
<b>Barrier control</b>	1 ch relay out to control the barrier

## Network

<b>Ethernet</b>	RJ-45 (100/1000Base-T)
<b>Interoperability</b>	CGI, SDK, Onvif
<b>Max. User Access</b>	20
<b>Web Viewer</b>	IE8, IE9, IE10, IE11, Chrome V33, V41
<b>Protocol</b>	IPv4/IPv6, HTTP, TCP/IP, UDP, NTP, DHCP, DNS
<b>Edge Storage</b>	Edge Storage Micro SD, Max 64GB Status Display Local PC for Instant Recording
<b>Management Software DSS</b>	DSS

## Interface

<b>Audio Interface</b>	Input/Output 1 Input / 1 Output
<b>RS485</b>	NA
<b>Alarm</b>	2/1 channel In/Out

## Video

<b>Compression</b>	H.265/H.264M/H.264H/H.264B
<b>Resolution</b>	1080P(1920x1080)
<b>Frame Rate</b>	1080P(1 ~ 25/30fps)
<b>Bit Rate Control</b>	CBR VBR
<b>Bit Rate</b>	32 ~ 16384 Kbps
<b>Day/Night</b>	Auto(ICR) / Color / B/W
<b>Dual Stream</b>	Support, main and sub stream
<b>BLC Mode</b>	BLC, HLC, WDR(140db)
<b>White Balance</b>	Auto/Manual
<b>Gain Control</b>	Auto/Manual
<b>Noise Reduction</b>	3D

## Environmental

<b>Operating Conditions</b>	-40°C ~ +60°C, Less than 95% RH
<b>RS485 Ingress Protection &amp; Vandal Resistance</b>	IP67, IK10

## Electrical

<b>Power Supply</b>	DC12V, PoE (802.3af)
<b>Power Consumption</b>	<12W (with IR on, motorized lens working)





# ATK-NVR1601-4K

- H.265/H.264 codec decoding
- Max 200Mbps Incoming Bandwidth
- Up to 8MP Resolution for Preview and Playback
- HDMI/VGA simultaneous video output
- Support ANR technology to enhance the storage reliability when the network break down

## System overview

### 16 Channel 1U 4K&H.265 Lite Network Video Recorder

Antik's ATK-NVR1601-4K is the first Lite series NVRs which can support 4K and H.265. And, it has the most reasonable price and best quality. This Lite NVR provides up to 8MP resolution. For applications where details are critical for identification, it provides a powerful image performance with up to 4K resolution. Additionally, the NVR features a mouse shortcut operation menu, remote management and control, centre storage, edge storage, and back up storage.

Designed as a cost-effective, easy installation, this NVR is ideal for a wide range of applications such as public safety, water conservancy, transportation, city centers, education, and financial institutions. The NVR is compatible with numerous third-party devices making it the perfect solution for surveillance systems with or without a video management system (VMS).

Its open architecture supports multi-user access and is compatible with ONVIF 2.4, enabling interoperability when combined with IP cameras.

#### 4K Resolution

The NVR supports 4K ultra HD resolution (3840 x 2160) for recording, live viewing and playback.

#### Intelligent Video System (Optional)

Working with built-in intelligent video analytics IP cameras, the NVR has the ability to detect and analyze moving objects for improved video surveillance. The NVR provides optional standard intelligence at the edge allowing detection of multiple object behaviors such as abandoned or missing objects. IVS also supports Tripwire analytics, allowing the camera to detect

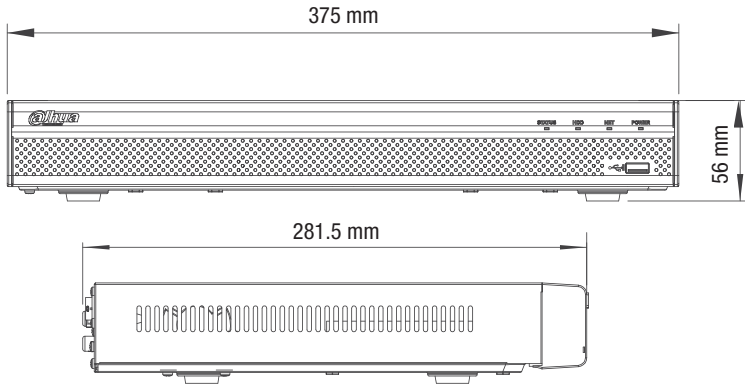
when a pre-determined line has been crossed, People Counting, ideal for business intelligence, and Face Detection, for searching or identification of individuals.

#### Smart Add

With the Smart Add function, the installation of IP system is as easy as an analog system, no matter the NVR with or without a PoE switch embedded. It should be noted that the NVR has to be in the same router as cameras.

#### ANR (Automatic Network Replenishment Technology)

Video record in SD card in IP cameras when the network breaks down, and after the network recovered, the video will be transferred to NVR and then recorded in it. Easy4ip You can monitor at anytime and anywhere with Easy4ip. With this function, you can manage your devices more convenient. and after the network recovered, the video will be transferred to NVR and then recorded in it.



BACK PANEL



## System

**Main Processor** Quad-core embedded processor  
**Operating System** Embedded LINUX

## Display

**Interface** 1 HDMI, 1 VGA  
**Resolution** 3840×2160, 1920×1080, 1280×1024, 1280×720, 1024×768  
**Multi-screen Display** 16CH: 1/4/8/9/16  
**OSD** Camera title, Time, Video loss, Camera lock, Motion detection, Recording

## Video Detection and Alarm

**Trigger Events** Recording, PTZ, Tour, Alarm out, Video Push, Email, FTP, Snapshot, Buzzer & Screen tips  
**Video Detection** Motion Detection, MD Zones: 396(22×18), Video Loss & Tampering  
**Alarm input** 4 Channel, Low Level Effective, Green Terminal Interface  
**Relay Output** 2 Channel, NO/NC Programmable, Green Terminal Interface

## Playback and Backup

**Playback** 16CH: 1/4/8/16  
**Search Mode** Time/Date, Alarm, MD & Exact search (accurate to second), Smart search  
**Playback Function** Play, Pause, Stop, Rewind, Fast play, Slow Play, Next File, Previous File, Next Camera, Previous Camera, Full Screen, Repeat, Shuffle, Backup Selection, Digital Zoom  
**Backup Mode** USB Device/Network

## Storage

**Internal HDD** 2 SATA III Port, Up to 6 TB capacity for each HDD  
**HDD Mode** Single  
**eSATA** N/A

## Recording

**Compression** H.265/H.264  
**Resolution** 8Mp/ 6Mp/ 5Mp/ 4Mp/ 3Mp/ 1080P/ 1.3MP/ 720P etc.  
**Record Rate** 200Mbps  
**Bit Rate** 16Kbps ~ 20Mbps Per Channel  
**Record Mode** Manual, Schedule (Regular, Continuous), MD (Video detection: Motion Detection, Tampering, Video Loss), Stop  
**Record Interval** 1 ~ 120 min (default: 60 min), Pre-record: 1 ~ 30 sec, Post-record: 10 ~ 300 sec



## ATK-K01



## Technical specification

### Network Keyboard & Control Keyboard & Dome keyboard

#### General

<b>Keyboard Key panel</b>	Electromechanical
<b>Joystick</b>	3-axis, vector-solving, with twisting, return-to-center head
<b>Keyboard Connector</b>	RJ-45, RS232, RS485, RS422, USB
<b>Keyboard Communication</b>	Direct Mode, Network Mode
<b>Direct Mode</b>	Interface: RS232/RS485 DVR Protocol: DH2 Dome Protocol: DH-SD/PELCO-D/PELCO-P/PELCO-D1/PELCO-P, etc
<b>Network Mode</b>	Interface: RJ45 DVR/Network Dome: IP Address/Port/Protocol
<b>Display</b>	LCD, 75.2mm×33.85mm

#### Keyboard to Control

- Antik High Speed Dome
- Antik Standalone DVR
- Antik Network High Speed Dome
- Network Video Server

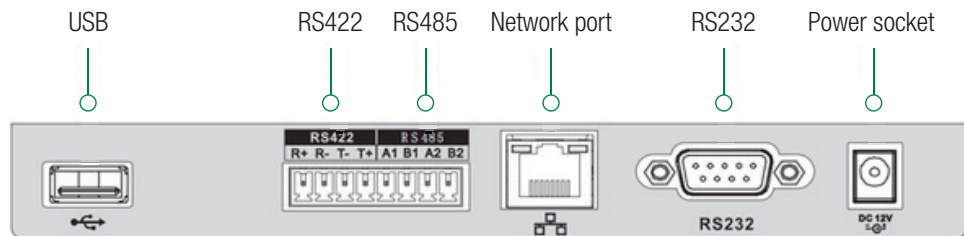
#### Connection

- RS485, RS422, USB, RS232 & Network

#### Functions

- Three Dimensional Joystick Control of PTZ Functions
- Preset Position, Auto Scan, Auto Pan, Auto Tour & Pattern Auxiliary Functions
- On-Screen Menu & User Operation Procedure Tips
- Connect to SmartPSS via USB





## Environmental

<b>Power Supply</b>	Power adapter, input 100V~240V 50Hz/60Hz, output DC12V/1000mA
<b>Power Consumption</b>	5W
<b>Working Temperature</b>	-10°C~+55°C
<b>Working Humidity</b>	10% ~ 90%
<b>Atmosphere Pressure</b>	86kpa~106kpa
<b>Dimension</b>	330mm×160(140)mm×37.5(21)mm (W×D×H)(height: 100mm including joystick)
<b>Weight</b>	2.5kg (Including package)



# ATK-B401-MIRP

Eco-savvy products by upgrading H.265 encoding technology, bringing high efficient video compression. It saves bandwidth and storage , energy-saving design to enhance the monitoring system. Meanwhile, the series offers features such as starlight , Smart IR technology, intelligent image analysis techniques. It provides excellent image quality and intelligent and efficient event reminders. This series provides IP67 weatherproof and IK10 vandal-proof protection feature. Give customers more value



## Functions

### Wide Dynamic Range

Embedded with industry leading wide dynamic range (WDR) technology, vivid pictures are achieved even in the most intense contrast lighting conditions. For applications with both bright and low lighting conditions that change quickly, True WDR (120dB) optimizes both the bright and dark areas of a scene at the same time to provide usable video.

### Intelligent Video System (IVS)

With built-in intelligent video analytics, the camera has the ability to detect and analyze moving objects for improved video surveillance. The camera provides optional standard intelligence at the edge allowing detection of multiple object behaviors such as abandoned or missing objects. IVS also supports Tripwire analytics, allowing the camera to detect when a pre-determined line

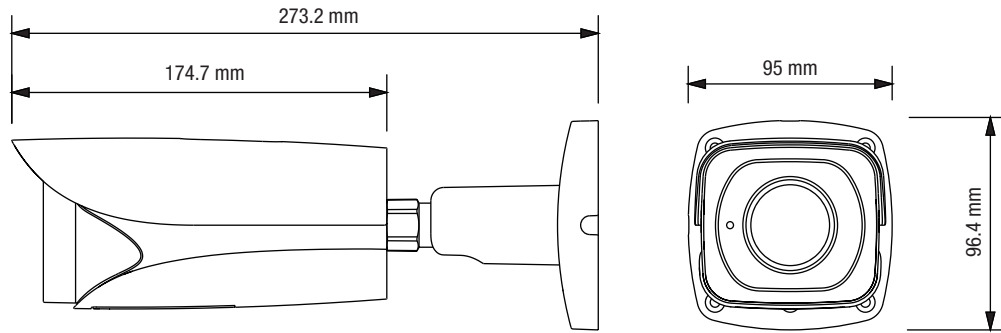
has been crossed, ideal for business intelligence, and Facial Detection, for search-in or identification of individuals.

### Environmental

With a temperature range of -30 °C to +60 °C (-22 °F to +140 °F), the camera is designed for extreme temperature environments. Subjected and certified to rigorous dust and water immersion tests, the IP67 rating makes it suitable for demanding outdoor applications. For environments with rain, sleet, snow and fog, an integrated wiper provides users with clear visibility at all times. Supporting ±30% input voltage tolerance, this camera suits even the most unstable conditions for outdoor applications. Its 4KV lightning rating provides protection against the camera and its structure from the effects of lightning.

## 4MP WDR IR Bullet Network Camera

- 1/3" 4Megapixel progressive scan CMOS
- H.265&H.264 triple-stream encoding
- 25/30fps@4Mp(2688×1520)
- Smart Detection supported
- WDR(120dB), Day/Night(ICR), 3DNR, AWB, AGC, BLC
- Multiple network monitoring: Web viewer, CMS(DSS/PSS) & DMSS
- 2.7mm ~12mm motorized lens
- 2/1 Alarm in/out, 1/1 audio in/out
- Max. IR LEDs Length 50m
- Micro SD memory, IP67, PoE



### Smart H.265+

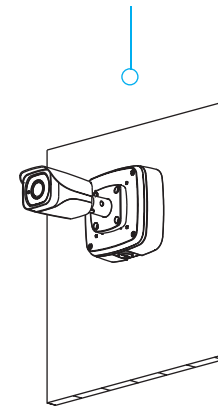
Deliver high quality video without straining the network, Smart H.265+ is the optimized implementation of H.265.

The Smart H.265+ encoding technology includes a scene adaptive encoding strategy, dynamic GOP, dynamic ROI, flexible multi-frame reference structure and intelligent noise reduction, providing saving of up to 70% of bandwidth and storage when compared with standard H.265.

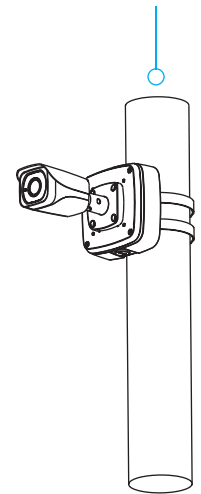
### HEVC (H.265)

H.265 ITU-T VCEG is a new video coding standard. H.265 Following standard developed around the existing video coding standard H.264 , some retain the original technology, while some of the relevant technology to improve the new technology uses advanced technology to improve the relationship between the code stream, encoding quality , and the delay between algorithm complexity, optimize settings specific contents include: Improve compression efficiency, improve the robustness and error recovery capabilities, real-time to reduce the delay, reduce channel acquisition time and a random access delay, reduce complexity, etc.

Junction Mount



Pole Mount







# ATK-D401-MIRP

Eco-savvy products by upgrading H.265 encoding technology, bringing high efficient video compression. It saves bandwidth and storage, energy-saving design to enhance the monitoring system. Meanwhile, the series offers features such as starlight, Smart IR technology, intelligent image analysis techniques. It provides excellent image quality and intelligent and efficient event reminders. This series provides IP67 weatherproof and IK10 vandal-proof protection feature. Give customers more value.



## Functions

### 4MP WDR IR Dome Network Camera

#### Wide Dynamic Range

Embedded with industry leading wide dynamic range (WDR) technology, vivid pictures are achieved even in the most intense contrast lighting conditions. For applications with both bright and low lighting conditions that change quickly, True WDR (120dB) optimizes both the bright and dark areas of a scene at the same time to provide usable video.

#### Intelligent Video System (IVS)

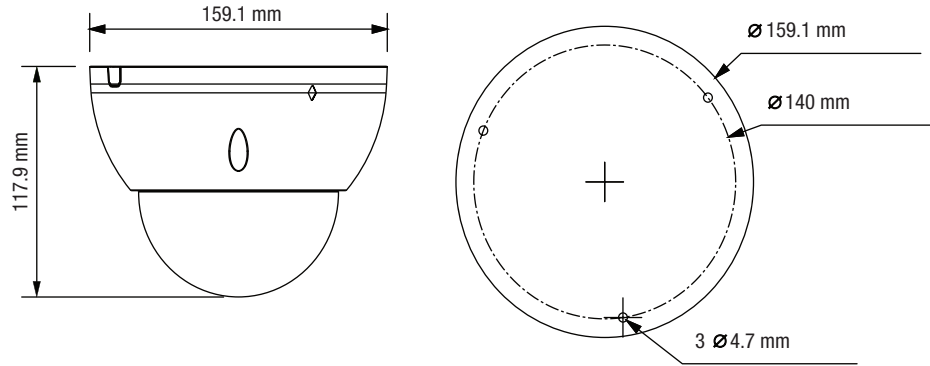
With built-in intelligent video analytics, the camera has the ability to detect and analyze moving objects for improved video surveillance. The camera provides optional standard intelligence at the edge allowing detection of multiple object behaviors such as abandoned or missing objects. IVS also supports Tripwire analytics, allowing the camera to detect when a pre-determined line has been crossed, ideal for business

intelligence, and Facial Detection, for searching or identification of individuals.

#### Environmental

With a temperature range of -30 °C to +60 °C (-22 °F to +140 °F), the camera is designed for extreme temperature environments. The camera complies to an IK10 impact rating making it capable of withstanding the equivalent of 55 kg (120 lbs) of force. Subjected and certified to rigorous dust and water immersion tests, the IP67 rating makes it suitable for demanding outdoor applications. For environments with rain, sleet, snow and fog, an integrated wiper provides users with clear visibility at all times.

- 1/3" 4Megapixel progressive scan CMOS
- H.265&H.264 triple-stream encoding
- 25/30fps@4Mp(2688×1520)
- WDR(120dB), Day/Night(ICR), 3DNR, AWB, AGC, BLC
- Multiple network monitoring: Web viewer, CMS(DSS/PSS) & DMSS
- 2.7mm ~12mm motorized lens
- Max. IR LEDs Length 50m
- IP67,IK10, PoE
- Micro SD card memory



### Protection

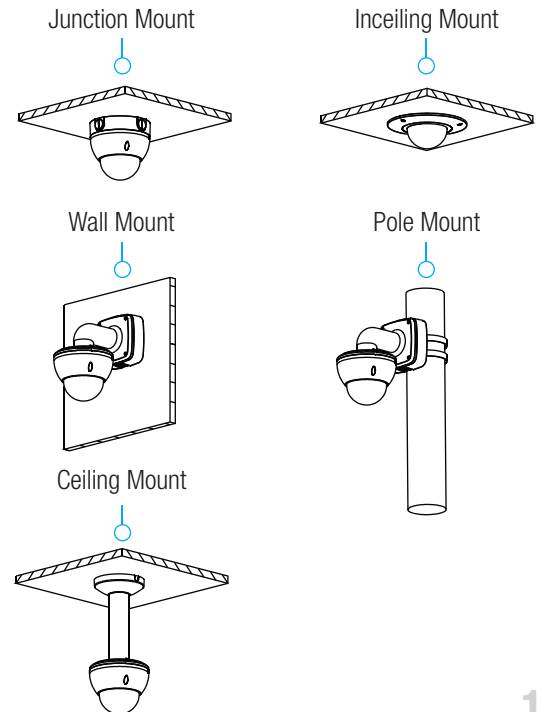
Supporting  $\pm 30\%$  input voltage tolerance, this camera suits even the most unstable conditions for outdoor applications. Its 4KV lightning rating provides protection against the camera and its structure from the effects of lightning.

### Smart H.265+

Deliver high quality video without straining the network, Smart H.265+ is the optimized implementation of H.265. The Smart H.265+ encoding technology includes a scene adaptive encoding strategy, dynamic GOP, dynamic ROI, flexible multi-frame reference structure and intelligent noise reduction, providing saving of up to 70% of bandwidth and storage when compared with standard H.265.

### HEVC (H.265)

H.265 ITU-T VCEG is a new video coding standard. H.265 Following standard developed around the existing video coding standard H.264, some retain the original technology, while some of the relevant technology to improve the new technology uses advanced technology to improve the relationship between the code stream, encoding quality, and the delay between algorithm complexity, optimize settings specific contents include: Improve compression efficiency, improve the robustness and error recovery capabilities, real-time to reduce the delay, reduce channel acquisition time and a random access delay, reduce complexity, etc.





# ATK-HSD401-IRP+

Featuring powerful optical zoom and accurate pan/tilt/zoom performance, the camera can provide large monitoring range and great detail. It is equipped with quick and smooth control, high quality image and good protection, which make it can meet most of the requirements of video surveillance applications.



## Functions

### 4MP 30x IR HSD PTZ Network Camera

#### Wide Dynamic Range

The camera achieves vivid images, even in the most intense contrast lighting conditions, using industry-leading wide dynamic range (WDR) technology. For applications with both bright and low lighting conditions that change quickly, True WDR (120 dB) optimizes both the bright and dark areas of a scene at the same time to provide usable video.

#### Auto-tracking

This feature controls the pan/tilt/zoom actions of the camera to automatically track an object in motion and to keep it in the scene. The tracking action can be triggered manually or automatically by defined rules. Once a rule is triggered, the camera can zoom in and track the defined target automatically.

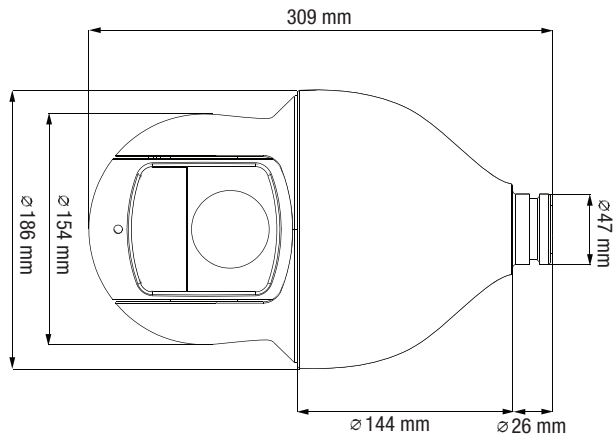
#### Smart H.265+

Smart H.265+ is the optimized implementation of the H.265 codec that uses a scene-adaptive encoding strategy, dynamic GOP, dynamic ROI, flexible multi-frame reference structure and intelligent noise reduction to deliver high-quality video without straining the network. Smart H.265+ technology reduces bit rate and storage requirements by up to 70% when compared to standard H.265 video compression.

#### PFA Technology

PFA technology has innovatively introduced new methods of judgment to ensure the accuracy and predictability of the direction of subject distance adjustment. The result is a set of advanced focusing algorithms. PFA ensures clarity of the image throughout the process of zooming and shortens focus time.

- 1/3" 4Megapixel CMOS
- Powerful 30x optical zoom
- Preset Speed: Pan: 400°/s, Tilt: 300°/s
- H.265 Encoding
- Max. 25/30fps@4M/3M, 25/30/50/60fps@1080P
- Auto-tracking and IVS
- Support PoE+
- IR distance up to 100m
- IP66



The realization of PFA technology substantially improves user experience and increases product value.

### Environmental

Antik cameras operate in extreme temperature environments, rated for use in temperatures from  $-40^{\circ}\text{C} \sim 70^{\circ}\text{C}$  ( $-40^{\circ}\text{F} \sim +158^{\circ}\text{F}$ ) with 95% humidity. Subjected to rigorous dust and water immersion tests and certified to the IP66 Ingress Protection rating makes it suitable for demanding outdoor applications.

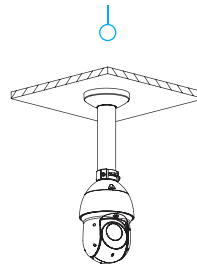
### Protection

The camera allows for  $\pm 10\%$  input voltage tolerance, suitable for the unstable conditions for outdoor applications. Its 6KV lightning rating provides effective protection for both the camera and its structure against lightning.

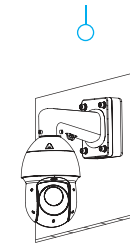
### Interoperability

The camera conforms to the ONVIF (Open Network Video Interface Forum) and PSIA (Physical Security Interoperability Alliance) specifications, ensuring interoperability between network video products regardless of manufacturer.

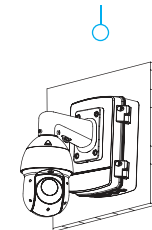
Ceiling Mount



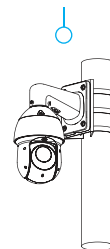
Junction Mount



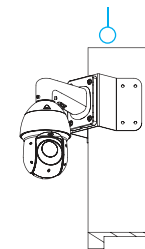
Power Box Mount



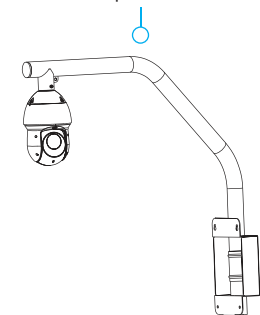
Pole Mount



Corner Mount



Parapet Mount





# ATK-X301-IRP

Ultra series product adopts high performance DSP and Sony advanced image sensor technology, which can provide excellent image effects for users. The series utilizes Antik advanced software algorithm, which is able to support people counting, bringing extra business analysis value for customers. The dual-lens design can get depth information which brings high accuracy of people counting. Besides, IP67 enables the product to be applied in a more harsh environment.



## Functions

### Intelligent Video System (IVS)

Antik camera has a built-in video analysis based on intelligent algorithms and can achieve the following: Tripwire, Intrusion, Abandoned/Missing can timely, quickly and accurately respond to monitoring events in specific area. It enhances monitoring efficiency. At the same time, the camera can support face detection, it can quickly capture a face and upload the image to the server. In addition the camera also supports intelligent tamper detection, through dramatic changes in the scene it will send out warning information to ensure effective monitoring.

### Business intelligent analysis (People counting, Heatmap)

Antik Camera also supports more advanced intelligent features such as people counting and heat map besides basic IVS functions. These two functions can be applied to

business intelligence and bring extra values to customers. It is available to acquire daily, weekly, monthly and yearly people flow via people counting and output data report. Heat map can be based on a moving object in time of space movement for analysis, find the most active area and output the report, which is to provide valuable data support for commercial applications.

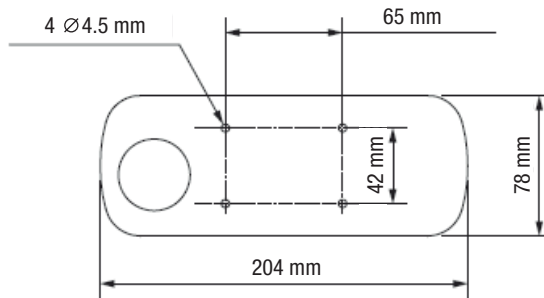
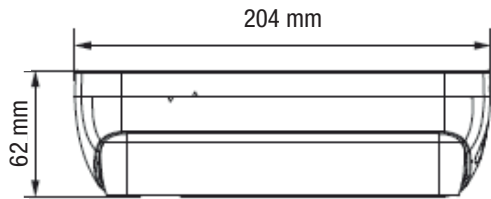
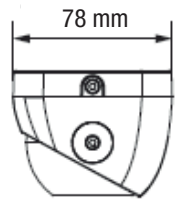
### Smart Scene Adaptive (SSA)

Smart Scene Adaptive (SSA) is a Antik self-developed intelligent image technology, the camera automatically evaluates the change in scene, in particular strong lights. In a strong backlight environment, it will automatically regulate exposure parameters to get better image quality. This can effectively address the impact of traffic lights, providing excellent video quality.

## 3MP Dual-Lens People Counting AI Network Camera

- Two 1/2.8" 3Megapixel progressive scan CMOS
- H.265&H.264 triple-stream encoding
- 25fps@3MP(2048×1536)
- DWDR, Day/Night(ICR), 3DNR, AWB, AGC, BLC
- Multiple network monitoring: Web viewer, CMS(DSS/PSS) & DMSS
- 2.8mm fixed lens (3.6mm optional)
- Max. IR LEDs Length 10m
- Micro SD memory, IP67, PoE
- People Counting: Support line crossing people counting, region people counting





### Smart H.265+

Deliver high quality video without straining the network, Smart H.265+ is the optimized implementation of H.265. The Smart H.265+ encoding technology includes a scene adaptive encoding strategy, dynamic GOP, dynamic ROI, flexible multi-frame reference structure and intelligent noise reduction, providing saving of up to 70% of bandwidth and storage when compared with standard H.265.

### Protection (IP67, wide voltage)

Supporting  $\pm 25\%$  input voltage tolerance, this camera suits even the most unstable conditions for outdoor applications. Its 6KV lightning rating provides effective protection for both the camera and its structure against lightning. IP67 is supported by the camera, which makes it suitable for both indoor and outdoor environments.

### Environmental

With a temperature range of  $-30\text{ }^{\circ}\text{C}$  to  $+60\text{ }^{\circ}\text{C}$  ( $-22\text{ }^{\circ}\text{F}$  to  $+140\text{ }^{\circ}\text{F}$ ), the camera is designed for extreme temperature environments. Subjected and certified to rigorous dust and water immersion tests, the IP67 rating makes it suitable for demanding outdoor applications.



# ATK-LPR202-IRP

This new camera is mainly used in roadway ANPR system and red light enforcement system, devoting to Front-end License Plate Recognition. More than 98% vehicle capture rate, up to 95% ANPR rate and its capture speed can reach 200km/h, covering at most 1 lane!

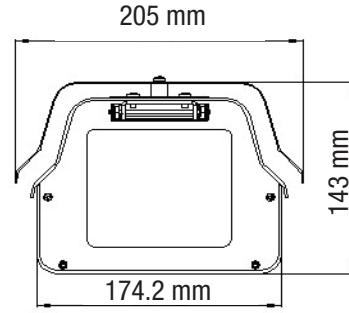
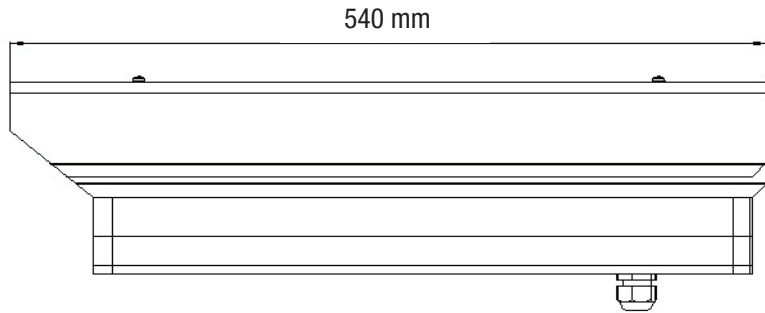
## Technical specification

### 2MP Traffic Picture Capture Camera

#### Technical data

<b>Image Sensor</b>	1/1.8 progressive CCD
<b>Max. Resolution</b>	2MP, 1600 (H)×1200 (V)
<b>Lenses</b>	C-Model. Automatic control (P-IRIS drive)
<b>Video Frame</b>	Up to 50 fps
<b>Camera Speed Shutter</b>	1/50~ 1/100000
<b>Day/Night</b>	Auto ICR (with polarized lens and infrared filter)
<b>Lamp</b>	White /IR light
<b>Video Signal Interface</b>	1 ×CVBS port and 2 ×100/1000M Ethernet port
<b>Digital I/O</b>	2 Relay output – 1 optical coupling input – 8 optical coupling input
<b>Extra Interface</b>	2 ×Mini USB and 1 ×SD interface

- All-in-one camera(EXCEPT LENS)
- Built-in HD camera ,heater,lamp, easy to install.
- High performance CCD image sensor, high color reduction degree, high sensitivity
- Embedded integration component design, built-in a variety of algorithms
- Rich variety of signal, data and communication interface
- Saving 30% power consumption compared to traditional solutions
- Built-in thunder-proof module to prevent being struck by lightning
- Temperature -40°C~+80°C, Humidity 10%~90%, suitable for the rough work scene



## Software features

<b>License Plate Recognition (LPR)</b>	Embedded
<b>Monitor Lane</b>	1 lanes
<b>Video Compression</b>	H.264H, H.264M, H.264B, MJPEG
<b>Remote control function</b>	Configure through WEB client
<b>OSD information superimposed</b>	Information of the picture includes time and place (channel address), lane information (number,/direction), plate information(license plate and color), vehicle information (speed, vehicle length, body color and the type of vehicle), illegal (illegal event name and the illegal code) and so on.
<b>Image Records Tamper-resistance</b>	Video/Image with watermark tech and check function

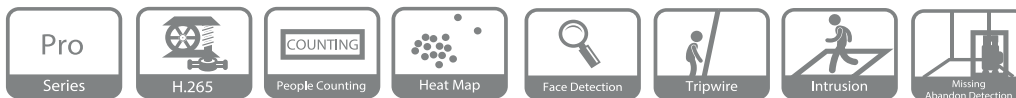
## Power, Size, Environment

<b>Power</b>	AC 90~265V, Max. 87W w/o adapter(Camera: Max. 15W, LED Lamp: Max. 6W,Fan: Max. 16W, Heater Max. 50W)
<b>Dimensions</b>	540mm×205mm×143mm
<b>Ingress Protection</b>	IP66
<b>Working Environment</b>	Temperature -40°C~+80°C, Humidity 10%~90%



# ATK-NVR1602-4K

Antik new ATK-NVR1602-4K network video recorder delivers excellent performance and high recording quality that is ideally suitable for IP video surveillance applications. This professional NVR adopts powerful processor, providing the capability of 4K resolution processing for applications where image details are highly required. Additionally, the NVR can be served as edge storage, central storage or backup storage with an intuitive shortcut operation menu for remote management and control.



## System overview

### 16 Channel 1U 4K&H.265 Pro Network Video Recorder

Due to its easy-to-install design, the NVR is ideal for a wide range of applications such as public safety, water conservancy, transportation, city centers, education, and financial institutions. The NVR is compatible with numerous third-party devices, which make it the perfect solution for surveillance systems that work independently of video management system (VMS). It features an open architecture that supports for multi-user access and is compatible with ONVIF 2.4 protocol, enabling interoperability with 4K cameras.

#### Smart H.265+

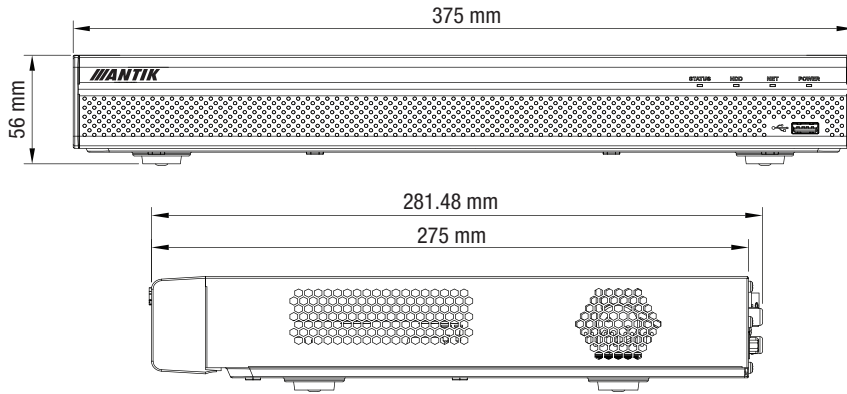
Smart H.265+ is the optimized implementation of the H.265 codec that uses a scene-adaptive encoding strategy, dynamic GOP, dynamic ROI, flexible multi-frame reference structure and intelligent noise reduction to deliver high-quality video without straining the network.

Smart H.265+ technology reduces bit rate and storage requirements by up to 70% when compared to standard H.265 video compression.

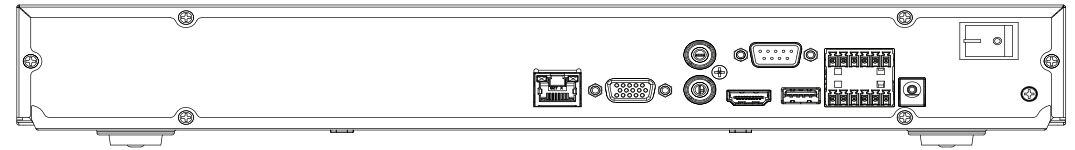
#### Smart Fan

The NVR is equipped with a smart fan to achieve high cooling efficiency. It automatically adjusts fan speed according to CPU and ambient temperature. The fan is long-lasting and low noise, reducing maintenance costs and improving the user experience.

- Smart H.265+/H.265/Smart H.264+/H.264/MJPEG
- Max 320Mbps Incoming Bandwidth
- Up to 12MP Resolution for Preview and Playback
- HDMI/VGA simultaneous video output



BACK PANEL



### **Fisheye Dewarping**

Fisheye dewarping solves the problem of distortion in the circular panoramic view. The NVR offers various dewarping modes for different installations and configurations that enhance the video, in both live or playback modes. Each dewarping mode offers options to adjust each scene.

### **ANPR**

Automatic Number Plate Recognition available for convenient entrance/ exit management. Support license plate recognition(working with Antik ITC camera), black/white list import/export, add/delete B/W list number, search result from recorded video.

### **Point of Sale (POS)**

Ideal for grocery and retail stores, the optional POS solution allows the NVR to receive a POS transaction via corresponding video. This feature allows merchants to analyze specific transactions via the Fuzzy search algorithm.

### **Automatic Network Replenishment (ANR) Technology**

Network Video Recorders with the ANR function automatically store video data on an IP camera SD card when the network is disconnected. After recovery of the network, the NVR automatically retrieves the video data stored on the camera.





# ATK-K02

With extension mini keypad module.



## Technical specification

## Network Keyboard & Control Keyboard & Dome keyboard

### System

<b>Main Processor</b>	Dual-core Braswell Processor
<b>Operation System</b>	Embedded LINUX 4.2.0

### Display

<b>Video Output</b>	4×HDMI(extension decoding display)
<b>Stream Type</b>	H.265, H.264, MPEG, Nonstandard
<b>Decoding Capability</b>	4CH@12MP(20fps)/4CH@4K(30fps)/6CH@5MP(30fps)/8CH@4MP(30fps)/10CH@3MP(30fps)/16CH@2MP(30fps)
<b>Stream Type</b>	H.265, H.264, H264H, H264B, MJPEG, MPEG4, SVAC, SmarH.264 and non standard
<b>Display split Screen</b>	1/4/9/16 10.1" TFT LCD touch screen (1280*800)

### Audio & Alarm

<b>Audio Input/Output</b>	1 pair 3.5mm jack, support bidirectional talk
<b>Loudspeaker</b>	1
<b>Alarm In</b>	4, High-low level
<b>Alarm Out</b>	4 (3 relay, 1 12V_1A)

### · KEYBOARD CONTROL

- Antik Standalone DVR
- Antik (Network) High Speed Dome
- Antik High Speed Dome
- Central Management Platform
- Network Video Server

### · RS232, RS485 & Network Connections(Wi-Fi)

### · Four Dimensional Joystick Control of PTZ Functions

### · Support 4K decoding live view

### · Support 4CH HDMI output

### · Support snapshot and recording to U-disk

### · Support Video-Wall display control

### · Support bidirectional talk

### · Preset Position, Auto Scan, Auto Pan, Auto Tour & Pattern Control

### · Auxiliary Functions, OSD and operation guides Control

### · ATK-K02 model includes an extension keypad module

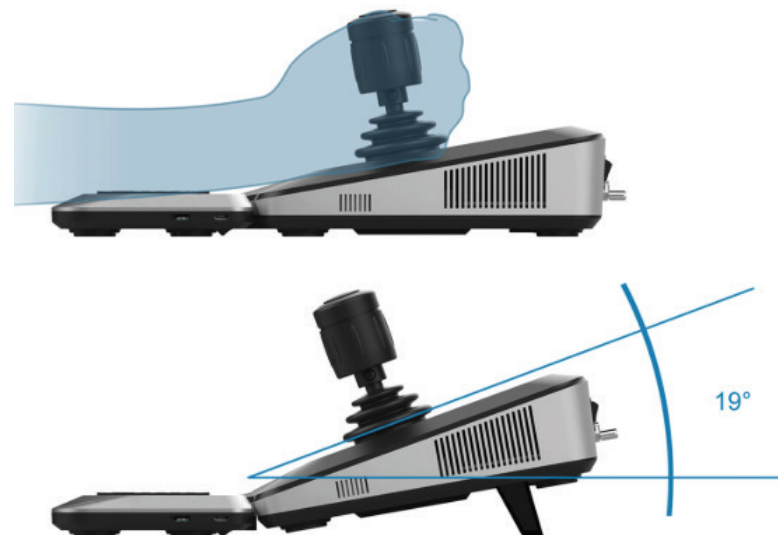


## General

<b>Network Interface</b>	2×RJ-45 port (10/100/1000M)), Wi-Fi
<b>USB Interface</b>	2 USB3.0, 2 USB2.0
<b>Wi-Fi</b>	Support (2.4GHz)
<b>RS485</b>	1 for ptz control
<b>RS232</b>	2, debugging and recorder control
<b>RS422</b>	1 (reserved)

## Environmental

<b>Power Supply</b>	DC12V, 4A
<b>Power Consumption</b>	25W(max), 18W(standby)
<b>Working Temperature</b>	-10°C ~+55°C
<b>Working Humidity</b>	10%~95%
<b>Atmosphere Pressure</b>	86kpa~106kpa
<b>Dimension</b>	Host: 425mmx194mmx59mm (W×D×H) (exclude joystick) Mini Keypad: 421mmx105mmx26mm (W×D×H)
<b>Weight</b>	3.73kg(exclude package)



# MONITORING

## CENTRAL DISPATCH CENTER



HDMI



LAN

LAN

LAN



User A



User B

## DATA CENTER



LAN

LAN

LAN

LAN

# LOCAL MONITORING CENTER



User C

## Administrator



User E

## Security manager



User D